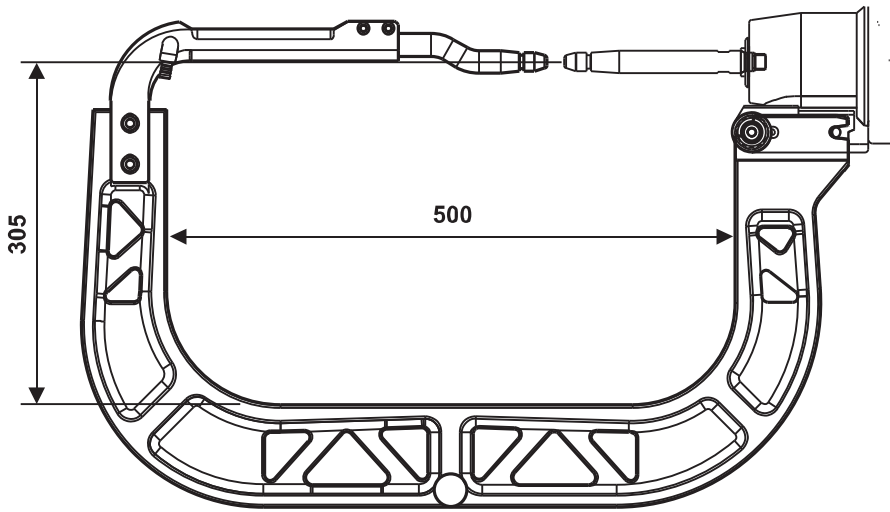
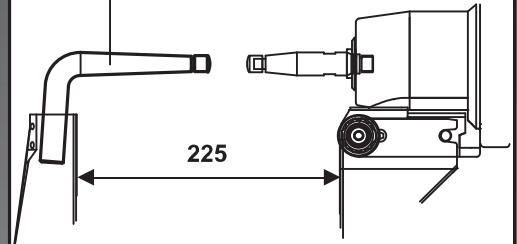


# Selection of Arms, Electrodes and Accessories

Item 8690/W/S



- Item 5222-Ø13
- Item 5222/W-Ø13
- Item 5223/W-Ø16



- Standard
- Upon request

- Item 5220
- Item 5220/W
- Item 5225-Ø13
- Item 5229-Ø16
- Item 5229/7-Ø16

- Standard
- Upon request

- Item 5239/W
- Item 5230-Ø16
- Item 5230/7-Ø16

- Standard
- Upon request

- Item 5221/2
- Item 5237/W
- Item 5221/1

- Standard
- Upon request

- Item 5238/W
- Item 5230-Ø16

- Standard
- Upon request

Item 8689

- Item 5220
- Item 5224-Ø13
- Item 5228-Ø16
- Item 5228/7-Ø16

- Standard
- Upon request

- Item 5221/2
- Item 5221/1
- Item 5221/7 (8679TS7)

- Item 5220

OPTIONAL  
for  
5221/2



5210/C



5211/C



5212/C



5214/C



5218/C

The accessories upon demand item 8689-5220-5221/1-5221/2 can be used at max 6 bar only